

DC/AC inverter - QUINT4-INV/24DC/1AC/600VA/USB - 1067325

Please be informed that the data shown in this PDF Document is generated from our Online Catalog. Please find the complete data in the user's documentation. Our General Terms of Use for Downloads are valid (<http://phoenixcontact.com/download>)




Inverter, QUINT, DIN rail mounting, input:24 V DC, output:1AC / 600 VA, Pure sine.

Your advantages

- ✓ Manual selection of AC output voltage via signal terminal enables worldwide use
- ✓ Pure sine curve at the output
- ✓ USB interface for connecting to industrial PCs, for example
- ✓ Can be switched in parallel for various applications
- ✓ Space savings, thanks to the compact design



Key Commercial Data

Packing unit	1 pc
GTIN	 4 055626 737003
GTIN	4055626737003
Weight per Piece (excluding packing)	2,840.000 g
Custom tariff number	85044084
Country of origin	Germany

Technical data

Note

Utilization restriction	EMC: class A product, see manufacturer's declaration in the download area
-------------------------	---

Dimensions

Width	180 mm
-------	--------

DC/AC inverter - QUINT4-INV/24DC/1AC/600VA/USB - 1067325

Technical data

Dimensions

Height	130 mm
Depth	125 mm
Installation distance right/left	0 mm / 0 mm
Installation distance top/bottom	50 mm / 50 mm

Ambient conditions

Degree of protection	IP20
Ambient temperature (operation)	-25 °C ... 60 °C (> 50 °C: 2,5 % / K)
Ambient temperature (storage/transport)	-40 °C ... 85 °C
Max. permissible relative humidity (operation)	≤ 95 %
Degree of pollution	2
Installation height	≤ 3000 m (> 2000 m: 0,6 % / 100 m)

Input data

Input voltage	24 V DC
Input voltage range DC	20 V DC ... 30 V DC
Current consumption	typ. 23 A
	max. 28 A

Output data

Output voltage	120 V AC ±2 % (100 V AC / 6 A...130 V AC / 4,6 A)
	230 V AC ±2 % (200 V AC / 3 A...240 V / 2,5 A)
Form of output voltage	Pure sine
Nominal output current (I _N)	5 A (120 V AC)
	2.6 A (230 V AC)
Maximum power dissipation in no-load condition	typ. 21 W (120 V AC)
Power loss nominal load max.	typ. 72 W (120 V AC)
Nominal output frequency	60 Hz 50 Hz ±0.5 %
Derating	50 °C ... 60 °C (2.5%/K)
Apparent power	600 VA
Real power	480 W
Power factor (cos phi)	0.8
Crest factor	2.8
Distortion factor of linear load	< 3 % (linear load)
Distortion factor of non-linear load	< 8 % (non-linear load)
Connection in parallel	yes
	max. 3
Connection in series	No
Overload capability, mains operation	105 % (Permanent)

DC/AC inverter - QUINT4-INV/24DC/1AC/600VA/USB - 1067325

Technical data

Output data

	120 % ... 150 % (20 s / 5 s, then shutdown)
--	---

General

Net weight	2.5 kg
Efficiency	> 86 % (120 V AC)
	> 87 % (230 V AC)
MTBF (IEC 61709, SN 29500)	532525 h (40 °C)
Degree of protection	IP20
Protection class	I

Input connection data

Connection method	Screw connection
Stripping length	8 mm
Conductor cross section solid	0.2 mm ² ... 6 mm ²
Conductor cross section flexible	0.2 mm ² ... 4 mm ²
Flexible conductor cross section (ferrule with plastic sleeve)	0.2 mm ² ... 4 mm ²
Flexible conductor cross section flexible (ferrule, w/o plastic sleeve)	0.2 mm ² ... 4 mm ²
Conductor cross section AWG	30 ... 10
Torque	0.5 Nm ... 0.6 Nm

Output connection data

Connection method	Screw connection
Stripping length	8 mm
Conductor cross section solid	0.2 mm ² ... 6 mm ²
Conductor cross section flexible	0.2 mm ² ... 4 mm ²
Flexible conductor cross section (ferrule with plastic sleeve)	0.2 mm ² ... 4 mm ²
Flexible conductor cross section flexible (ferrule, w/o plastic sleeve)	0.2 mm ² ... 4 mm ²
Conductor cross section AWG	30 ... 10
Torque	0.5 Nm ... 0.6 Nm

Signal connection data

Connection method	Screw connection
Conductor cross section solid	0.2 mm ² ... 1.5 mm ²
Conductor cross section flexible	0.2 mm ² ... 1.5 mm ²
Flexible conductor cross section (ferrule with plastic sleeve)	0.2 mm ² ... 1.5 mm ²
Flexible conductor cross section flexible (ferrule, w/o plastic sleeve)	0.2 mm ² ... 1.5 mm ²
Conductor cross section AWG	30 ... 12
Torque	0.5 Nm ... 0.6 Nm
Stripping length	8 mm

DC/AC inverter - QUINT4-INV/24DC/1AC/600VA/USB - 1067325

Technical data

EMC data

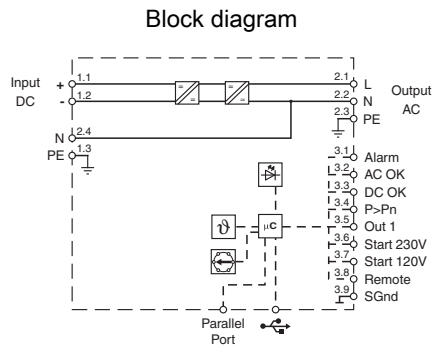
Electromagnetic compatibility	Conformance with EMC Directive 2014/30/EU
Low Voltage Directive	Conformance with Low Voltage Directive 2014/35/EC
Electrostatic discharge	EN 61000-4-2
Contact discharge	± 6 kV
Discharge in air	± 8 kV
Electromagnetic HF field	EN 61000-4-3
Frequency range	80 MHz ... 6 GHz
Test field strength	10 V/m
Comments	Criterion A
Fast transients (burst)	EN 61000-4-4
Input	± 2 kV
Output	± 2 kV
Signal	± 2 kV
	± 2 kV (USB)
Comments	Criterion A (B for USB)
Surge voltage load (surge)	EN 61000-4-5
Input	± 1 kV (symmetrical)
	± 2 kV (asymmetrical)
Output	± 2 kV (symmetrical)
	± 4 kV (asymmetrical)
Signal	1 kV (asymmetrical)
Comments	Criterion A
Conducted interference	EN 61000-4-6
Frequency range	0.15 MHz ... 80 MHz
Comments	Criterion A
Power frequency magnetic field	EN 61000-4-8
Frequency	50 Hz
	60 Hz
Signal	30 A/m
Comments	Criterion A
Criterion A	Normal operating behavior within the specified limits.
Criterion B	Temporary impairment to operational behavior that is corrected by the device itself.

Environmental Product Compliance

REACH SVHC	Lead 7439-92-1
------------	----------------

Drawings

DC/AC inverter - QUINT4-INV/24DC/1AC/600VA/USB - 1067325



Diagram



Classifications

eCl@ss

eCl@ss 10.0.1	27024390
eCl@ss 11.0	27024390
eCl@ss 9.0	27024390

Approvals

Approvals

Approvals

cULus Recognized / IECEE CB Scheme / cULus Recognized

Ex Approvals

Approval details

cULus Recognized		http://database.ul.com/cgi-bin/XYV/template/LISEXT/1FRAME/index.htm	FILE E 123528
------------------	--	---	---------------

DC/AC inverter - QUINT4-INV/24DC/1AC/600VA/USB - 1067325

Approvals

IECEE CB Scheme		http://www.iecee.org/	DK-95874-UL
-----------------	--	---	-------------

cULus Recognized		http://database.ul.com/cgi-bin/XYV/template/LISEXT/1FRAME/index.htm	FILE E 342453
------------------	--	---	---------------

Accessories

Accessories

Assembly adapter

Assembly adapters - UWA 130 - 2901664



2-piece universal wall adapter for securely mounting the device in the event of strong vibrations. The profiles that are screwed onto the side of the device are screwed directly onto the mounting surface. The universal wall adapter is attached on the left/right.

Assembly adapters - UWA 182/52 - 2938235



Universal wall adapter for securely mounting the device in the event of strong vibrations. The device is screwed directly onto the mounting surface. The universal wall adapter is attached on the top/bottom.

Data cable preassembled

Data cable - MINI-SCREW-USB-DATACABLE - 2908217



Used for communication between an industrial PC and Phoenix Contact devices with USB-Mini-B connection.

Device protection

DC/AC inverter - QUINT4-INV/24DC/1AC/600VA/USB - 1067325

Accessories

Type 3 surge protection device - PLT-SEC-T3-120-FM-UT - 2907918



Type 2/3 surge protection, consisting of protective plug and base element, with integrated status indicator and remote signaling for single-phase power supply networks. Nominal voltage 120 V AC/DC.

Type 3 surge protection device - PLT-SEC-T3-230-FM-UT - 2907919



Type 2/3 surge protection, consisting of protective plug and base element with screw connection. For single-phase power supply network with integrated status indicator and remote signaling. Nominal voltage 230 V AC/DC.
