

SWX250 Series 24VAC IN 250W



- AC/DC Suitable for 24VAC input applications
- Wide range input 20 ~ 34VAC
- Single output options 24 ~ 48VDC
- Panel mounting case with screw terminals
- High operating temperature up to 50°C
- Suitable for a wide range of industrial applications



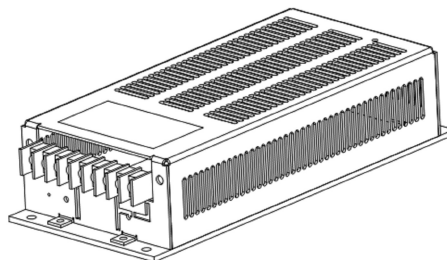
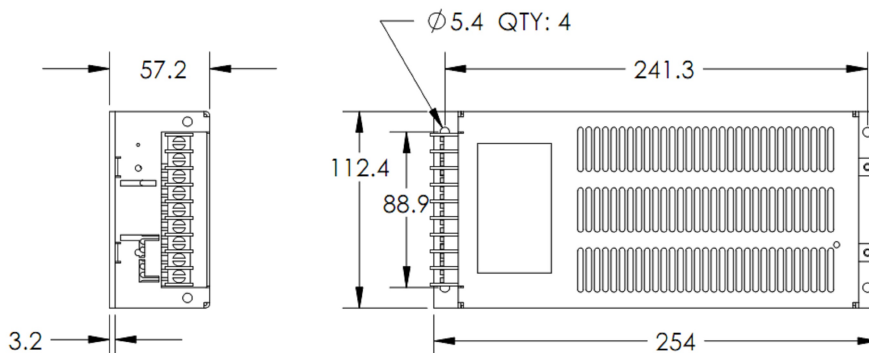
Model Selection Table

Model Number	Description
SWX250-24	AC/DC Power supply Input: 24VAC Output: 24VDC 10A 250W
SWX250-48	AC/DC Power supply Input: 24VAC Output: 48VDC 5A 250W

Description

The SWX250 series power supply, was designed to operate from low AC voltages, typically 24VAC. Using a proven "High Power Density power module as the building block, it allows us to offer a high quality solution with operating temperature up to 70°C The wide Input range provides added flexibility for a wide range of Industrial applications. Output voltage options include 24V and 48V. Custom voltages can be offered upon request.

Mechanical Diagram for the SWX250



Specifications

Input Voltage	24VAC (20 ~ 34V) Other input options on request.
Efficiency	88%
Minimum Load	Zero
EMC	EN55022 Class A
Output Voltage	Single: 24 ~ 48V options
Output Power	250 Watts
Isolation	Input – Output: 2250VDC
Over Current Protection	YES

SWX250 Series 24VAC IN 250W

Over Voltage Protection	YES
Operating Temp.	Typically -20°C to +50°C full load
Dimensions 254 x 112 x 57mm	
Connector	Screw Terminals