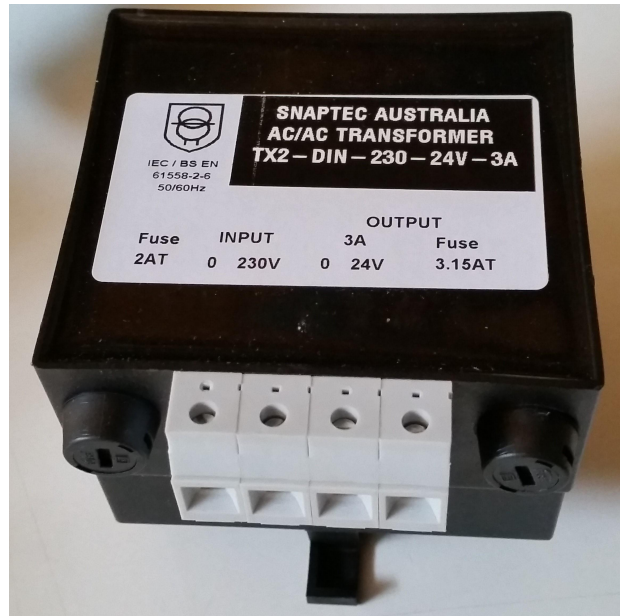


AC/AC Isolation transformers w/ DIN clip.

Series of moulded 1-phase EI transformers with screw connectors and 35 mm DIN rail (TS35) mount designed according to the following specifications.

- High quality safety and isolating transformers for use in general applications
- Encapsulated in resin
- Detailed product specification on permanent label
- High efficiency, low regulation design
- 100% electrical and flash tested
- Fused input and output
- Galvanic separation
- For permanent fixation at DIN rail



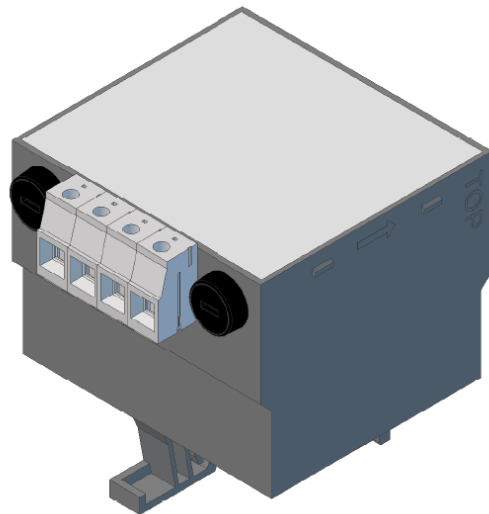
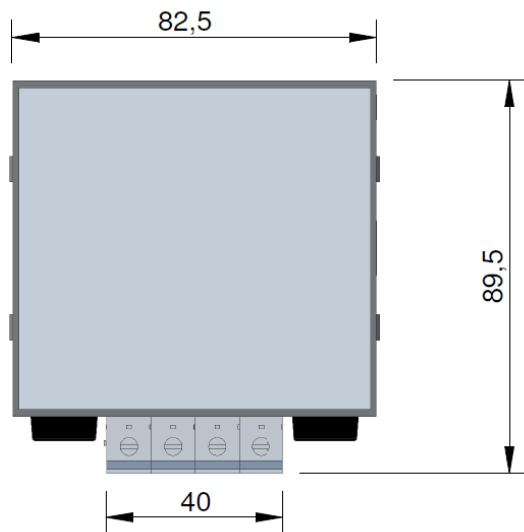
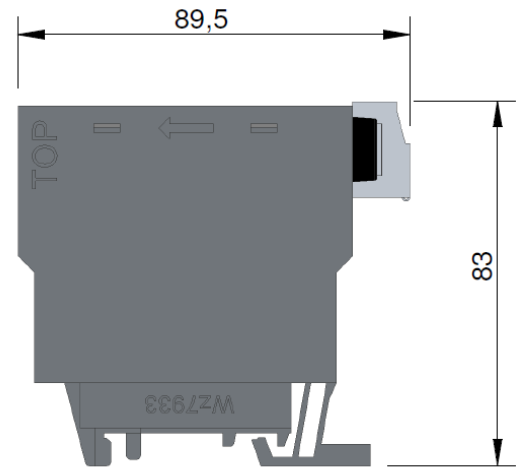
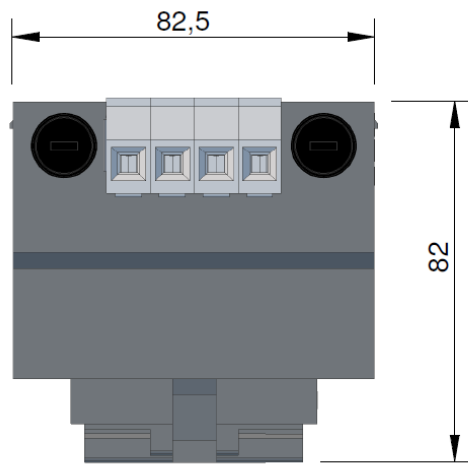
General specifications:

Power:	Nominal 72 VA . short term 100 VA.
Frequency:	50/60 Hz
Finish:	Encapsulated in grey plastic box with DIN clip
Dimensions:	82.5 x 89.5 x 82 mm
Weight:	1.25 Kg nominal
Isolation:	4 kV RMS
Temp. class:	max. ta = 40°C / insulation class B (130°)
Standards:	EN61558-1, EN61558-2-6

Detailed specifications

MODEL	TX2-DIN-230-12V-6A	TX2-DIN-115-24V-3A	TX2-DIN-230-24V-3A	TX2-DIN-400-24V-3A
Primary voltage	230 V +/- 10 %	115 V +/- 10 %	230 V +/- 10 %	400 V +/- 10 %
Primary fuse	2 AT (anti-surge 5x20)	3.15 AT (anti-surge 5x20)	2 AT (anti-surge 5x20)	2AT / 500V (anti-surge 6.3x32)
Secondary voltage	12 V	24 V	24 V	24 V
Secondary current	6 A	T 3.15 A	T 3.15 A	T 3.15 A
Secondary fuse	6.3 A anti-surge	3.15 A anti-surge	3.15 A anti-surge	3.15 A anti-surge
Secondary no-load Voltage	13.4 V	26.5 V	26.5 V	26.5 V

Mechanical details (all dimensions in mm):



Please note: The DIN plastic clip is not designed for multiple clip-on and clip-off purpose.